

STANDARD APRON FEEDERS



QUARRY FEEDERS

VARIOUS SIZES AVAILABLE

CAN START UNDER LOADING

Used for feeding crushers and screeners. Our robust and versatile apron feeders have many applications. This apron is provided in 4 different models.

APRON SIZES

	AF 10-4	AF 10-6	AF 12-4	AF 12-6
Length	: 4000mm (157")	6000mm (236")	4000mm (157")	6000mm (236")
Width	: 1000mm (39")	1000mm (39")	1200mm (47")	1200mm (47")

CAPACITY

Output : 225-450 Tonnes per hour
(250-500 US Tons per hour)

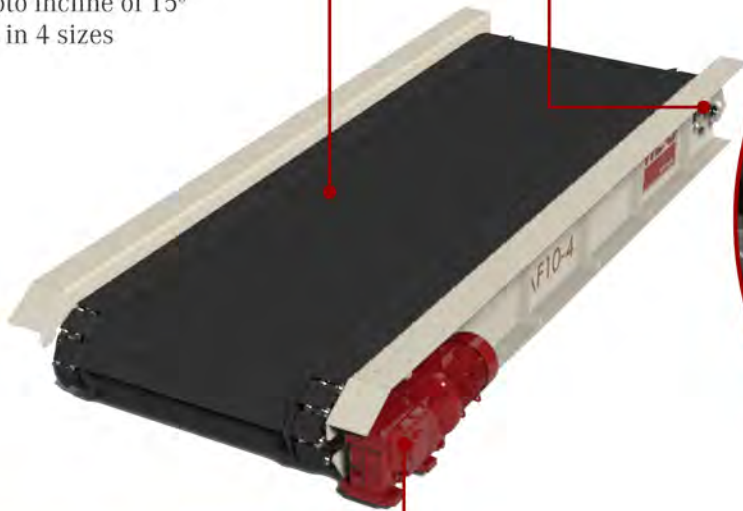


Pans

Double row of impact rollers
Excavator chain drive
Hardened sprockets
Hardox Pans
Usable upto incline of 15°
Available in 4 sizes

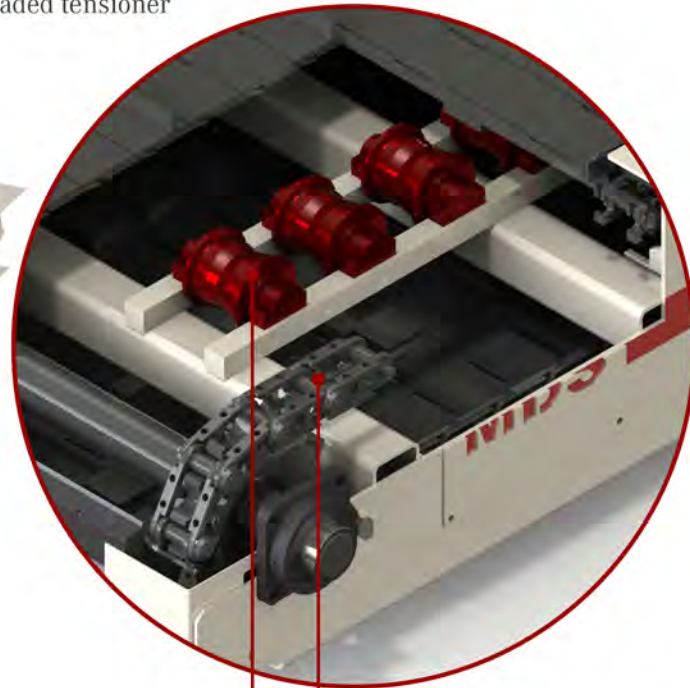
Tensioner

Spring loaded tensioner



Motor

Differet Motor options available
Size dependent on application & desired output
Electric or Hydraulic Drive
Bevel Planetary Helical Gearboxes
120% Loading During Startup



Track Rollers
Track Chain

Odd number of teeth to
allow alternative meshing
of chain to give double life

STANDARD APRON FEEDER

HEAVY DUTY APRON FEEDERS



MINING FEEDER



VERU STRONG AND ROBUST



RAIL TRACK SUPPORT

Used in the mining industry, this mega machine can withstand the toughest tasks. It can start up under full load and can be loaded by large dump trucks. Available in 4 models.

APRON SIZES

	HD AF 16-6	HD AF 16-8	HD AF 20-6	HD AF 20-8
Length	: 6000mm (236")	8000mm (315")	6000mm (236")	8000mm (315")
Width	: 1600mm (63")	1600mm (63")	2000mm (79")	2000mm (79")

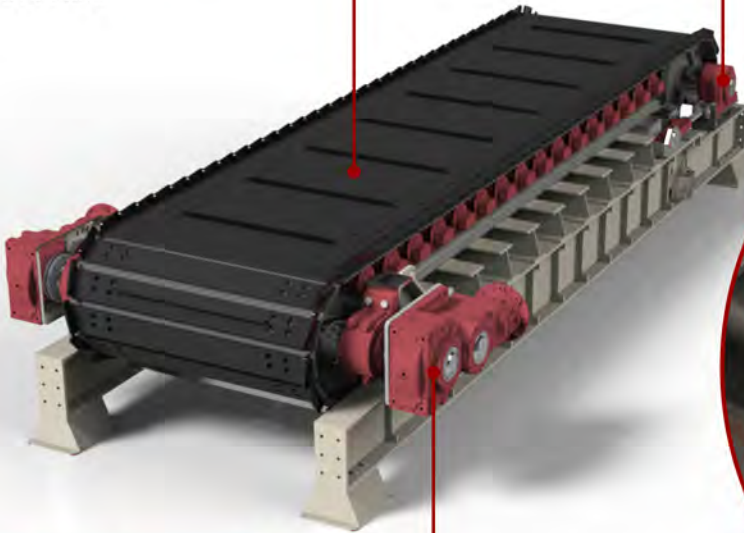
CAPACITY

Tonnes/hr : 1350-1800 Tonnes per hour
(1500-2000 US Tonser hour)



Pans

Hardox or Manganese Pans
Rail Track Impact beams
4 sizes available

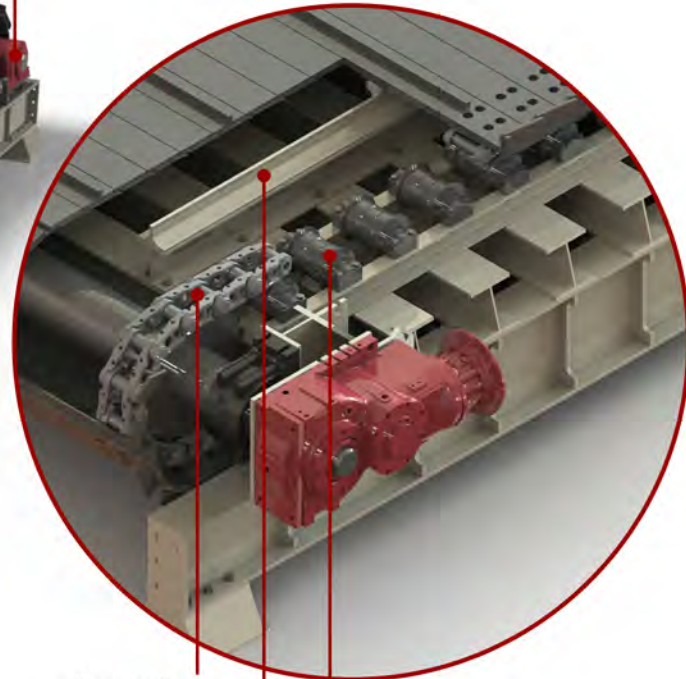


Motor

Twin Drive
Electric or Hydraulic Drive
Able to start under heavy load
Differet Motor options available
Size dependent on application & desired output

Tensioner

Hydraulic Tensioner



Track Chain
Support Rails
Track Rollers