



MDS INTERNATIONAL
LEAVE NO STONE UNTURNED

M518R

Recycling

TROMMEL



Drummond, Magheracloone
A81 TE82, Carrickmacross
Co. Monaghan, IRELAND

TEL: +353 42 966 7899
EMAIL: info@mds-int.net
WEB: www.mds-int.net

M518R TRACK RECYCLING TROMMEL

M518R is a compact track trommel that is designed to be used in various applications. It is packed with many features for various applications. It can be fitted with 3 different styles of drums (5m long, 1.8m diameter). The M518R sits at a lower height compared to its competitors, making it easier and cheaper to transport from one site to another!

RECYCLING APPLICATIONS

WOODCHIP



GENERAL WASTE



COMPOST



RUBBER & PLASTICS



3 DIFFERENT DRUM OPTIONS



MESH DRUM

Opening Sizes:

1mm to 20mm
3/64" to 3/4"
Ideal for wood chippings, soil and compost



PUNCH PLATE

Opening Sizes:

5mm to 100mm
33/64" to 4"
Ideal for small stones and recycling waste



MACHINE SPECIFICATIONS

Weight :	19.783 tonnes (43614 lbs)
Drum Diameter & Length :	1.8 m (5' 11"), 5 m (16' 5")
Hopper Capacity :	5m³ (6.54 yd³)
Feed Mechanisms :	Belt Feeder
Engine and Controls :	Cat 2.2 TIER 4 or 56 kW (75HP) or Electric Option, Electronic Control System

TECHNICAL SPECIFICATIONS

OVERSIZE CONVEYOR
MAX MATERIAL 150 mm (6")

QUICK CHANGE DRUM
3 DRUM TYPES AVAILABLE

BRUSH CLEANER (OPTIONAL)

TIPPING GRID (OPTIONAL)

FINES CONVEYOR



EASY TRANSPORT
FOLDABLE CONVEYORS

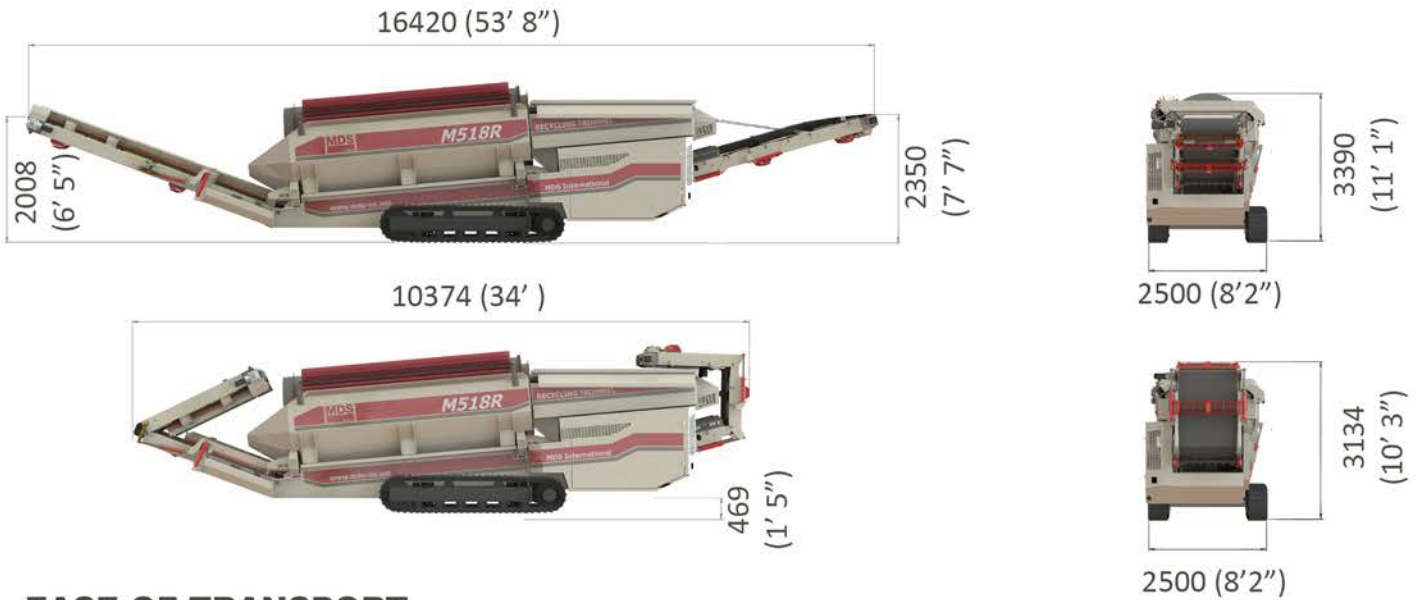
ALL TERRAIN TRACKS

HEAVY DUTY BELT FEEDER

DIESEL ENGINE
CAT 2.2 TIER 4 ENGINE



DIMENSIONS



EASE OF TRANSPORT

M518R is designed with mobility in mind. The Unit is compact to allow it to be transported easily. The unit is under 3.2 metres (10' 4") high, 2500mm (8' 2") wide and 11.9m (39' 3") long. The unit is on tracks so is easy to load on and off low body trailers and transport as Roll-On-Roll-Off (RORO).

HYDRAULIC QUICK DRUM CHANGE

The M518R is a modular trommel and is versatile with its drum. The unit can be fitted with existing customer drums (M518R drums from other brands can be installed easily).

